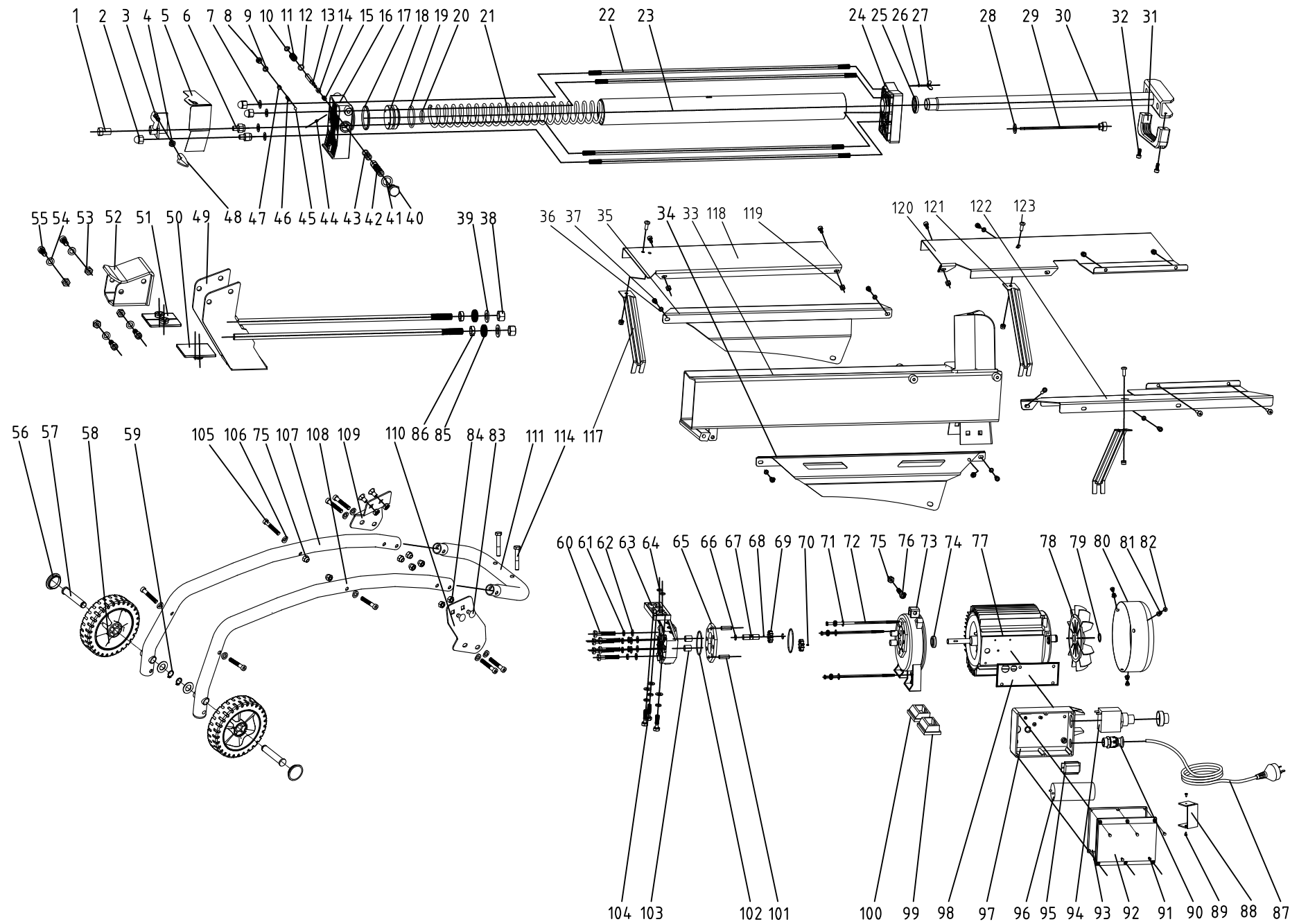
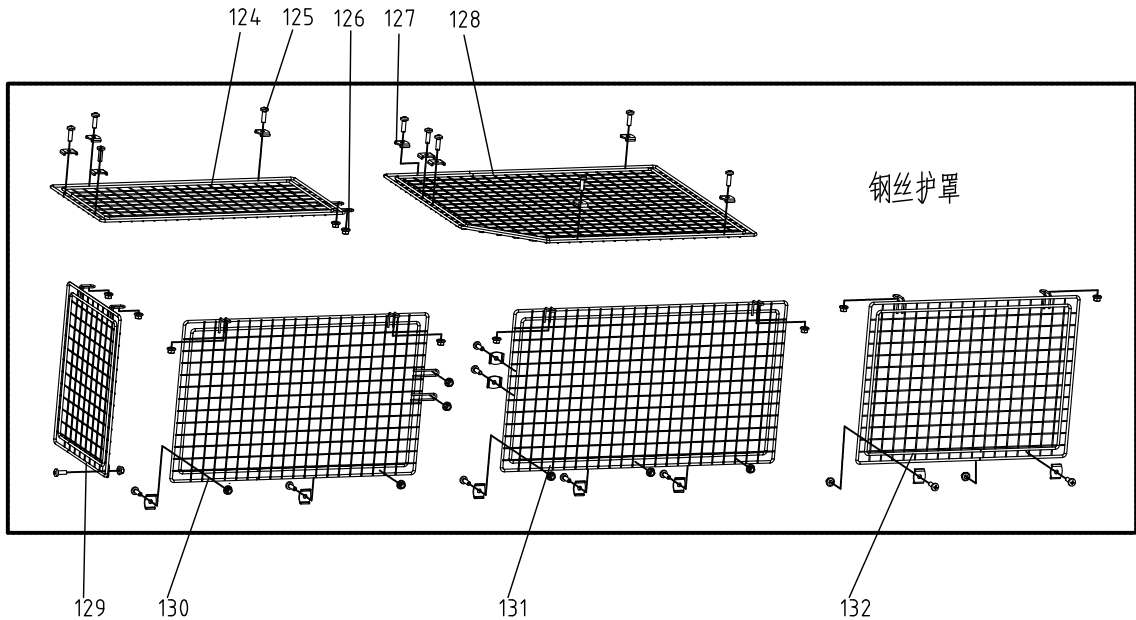


Model Number  
Titan TT762LSP



Log Splitter  
Parts Manual





Part ID	Apelson PN	MPN	Part Description	Qty
1	GP0000005343	CBA.55.123	LEVER MOUNT NUT	1
2	GP0000005344	GB/T 923-1988	NUT CAP M10	3
3	GP0000005345	CBS3.55.015-1	LEVER	1
4	GP0000005346	GB/T 6172.1-2000	NUT M8	1
5	GP0000005347	65553A.55.101	LEVER GUARD	1
6	GP0000005348	CBA.55.124	NUT	2
7	GP0000005349	CBA.55.154	COPPER GASKET 10	4
8	GP0000005350	CBA.55.153-A	SAFTY BOLT SCREW M8	1
9	GP0000005351	GB 1235-76	O-RING 5.5X2	1
10	GP0000005352	GB 896-1986	SNAP WASHER - SHAFT 6	1
11	GP0000005353	CBA.55.113	VALVE RETRACT SPRING	1
12	GP0000005351	GB 1235-76	O-RING 6X1.5	1
13	GP0000005355	CBA.55.114	VALVE CORE ROD	1
14	GP0000005356	CBA.55.116	SLIDING PRESSURE SENSOR SLEEVE	1
42	GP0000005357	CBA.55.115	VALVE SLEEVE	1
15	GP0000005358	CAA.55.118	SLIDING PRESSURE SENSOR SLEEVE SPRING	1
16	GP0000005359	CBA.55.102-3	ALUMIUM COVER ( REAR )	1
17	GP0000005351	GB 1235-76	O-RING 54.5X2.65	1
18	GP0000005361	CBA.55.103-B	PISTON	1
19	GP0000005362	GB/T 15242.1-1994	PISTON RING 55	1
20	GP0000005363	GB/T 3452.1-1992	O-RING 32X3.5	1
21	GP0000005364	CBA.55.105	SPRING	1
22	GP0000005365	CBA.55.121	STUD BOLT	4
23	GP0000005366	CBA.55.306	HYDRAULIC CYLINDER	1
24	GP0000005367	CBA.55.108-3	ALUMIUM COVER ( FRONT)	1
25	GP0000005368	GB/T 10708.3-1989	PISTON ROD SEAL 30	1
26	GP0000005351	GB 1235-76	O-RING 7X1.9	1
27	GP0000005370	CAA.55.141	WING BOLT	1
28	GP0000005371	JB982-77	WAHSER GROUPWARE 14	1
29	GP0000005372	CBA.55.014-1	DIPSTICK	1
30	GP0000005373	65553.55.013	PISTON ROD	1
31	GP0000005374	CBA.55.110-A	MOVING HANDLE	1
32	GP0000005375	GB/T 70.1-2000	SCREW M6X16	2
33	GP0000005376	65553A.38.012	FRAME TUBE	1
34	GP0000005377	65553A.38.101	LEAD PLANK 1 - LEFT	1
35	GP0000005378	65553A.38.102	LEAD PLANK 2 - RIGHT	1
36	GP0000005379	GB/T 93-1987	WASHER 6	4
37	GP0000005380	GB/T 70.1-2000	SCREW M6X12	10
38	GP0000005381	GB/T 6182-2000	NUT	2
39	GP0000005382	GB/T 95-1985	FLAT WAHSER	2
40	GP0000005383	CBA.55.120-1	NUT PLUG	1
41	GP0000005371	JB982-77	WASHER GROUPWARE	1
43	GP0000005351	GB 1235-76	O-RING 10X2	5
44	GP0000005386	GB/T 77-1985	ADJUSTING SCREW M5X8	1

45	GP0000005410	GB 308-1989	STEEL BALL 6	1
46	GP0000005388	CBA.55.122	PRESSURE LIMITED VALVE SPRING	1
47	GP0000005386	GB/T 77-1985	ADJUSTING SCREW M8X8	1
48	GP0000005390	CBS3.55.119	LEVER KNOB	1
49	GP0000005391	65553.55.012	LOG PUSHER CONNECTION WELDMENT	1
50	GP0000005392	CBA.55.112	PLASTIC INSERTS1	1
51	GP0000005393	CBA.55.104	PLASTIC INSERT 2	1
52	GP0000005394	CBA.55.011	LOG PUSHER	1
53	GP0000005395	GB/T 6182-2000	NUT	4
54	GP0000005396	GB/T 95-1985	FLAT WAHSER	5
55	GP0000005397	GB/T 70.1-2000	SCREW	4
57	GP0000005398	CBS3.38.805-1	AXIS PIN	2
56	GP0000005399	S060.10.101	WHEEL CAP	2
58	GP0000005400	S060.10.001	WHEEL	2
59	GP0000005401	GB/T896	CIRCLIP 12	2
60	GP0000005402	GB/T 5782-2000	BOLT M8X55	6
61	GP0000005403	GB/T93-1987	SPRING WASHER 8	9
62	GP0000005396	GB/T 95-1985	WASHER 8	9
63	GP0000005405	CBA.26.105-1	GEAR PUMP COVER	1
64	GP0000005363	GB/T 3452.1-1992	O-RING 10.6X2.65	2
65	GP0000005407	CBA.26.107-A	GEAR HOUSING PLATE	1
66	GP0000005408	GB/T 895.2-1986	CIRCLIP 10	2
67	GP0000005409	CBA.26.101	GEAR SHAFT	1
68	GP0000005410	GB 308-1989	STEEL BALL 2.5	1
69	GP0000005411	CBA.26.102	GEAR	2
70	GP0000005412	GB/T 119.2-2000	PIN 2.5X4	1
71	GP0000005413	GB/T 95-2000	FLAT WASHER 5	6
72	GP0000005414	GB/T 5780-2000	BOLT M5X180	3
73	GP0000005415	CBA.26.106	MOTOR COVER	1
74	GP0000005416	GB 9877.1-88	OIL SEAL FB11X26X7	1
75	GP0000005395	GB/T 6182-2000	NUT M8	15
76	GP0000005397	GB/T 70.1-2000	SCREW M8X35	1
78	GP0000005419	DCBB.11.101	FAN	1
79	GP0000005420	GB/T 894.1-1986	CIRCLIP 17	1
80	GP0000005421	DCBB.12.101	SHROUD	1
81	GP0000005403	GB/T93-1987	SPRING WASHER 5	6
82	GP0000005423	GB/T 818-2000	SCREW M5X10	3
83	GP0000005424	GB/T 14-1998	BOLT M8X16	4
84	GP0000005425	GB/T 6170-2000	NUT M8	4
85	GP0000005403	GB/T93-1987	SPRING WASHER	2
86	GP0000005346	GB/T 6172.1-2000	NUT	2
87	GP0000005428	CBA.78.001	CABLE & PLUG	1
88	GP0000005429	CBD.26.170	GUARD BOARD	1
89	GP0000005430	GB/T 845-1985	SCREW ST2.9X6.5	2
91	GP0000005430	GB/T 845-1985	SCREW M4X10	11
99	GP0000005432	CBA.26.155	MOTOR SUPPORT LEFT SHOE	1
100	GP0000005433	CBA.26.154	MOTOR SUPPORT RIGHT SHOE	1
101	GP0000005412	GB/T 119.2-2000	PIN 8X24	2

102	GP0000005363	GB/T 3452.1-1992	O-RING 46.2X1.8	2
103	GP0000005436	CBA.26.103	SLIDING SLEEVE	4
104	GP0000005437	GB/T 5783-2000	BOLT M8X30	3
105	GP0000005397	GB/T 70.1-2000	SCREW M8X45	8
106	GP0000005439	CBD.40.112	ARC WASHER	8
107	GP0000005440	CBS5.38.012	SUPPORT FRAME 2 - RIGHT	1
108	GP0000005441	CBS5.38.011	SUPPORT FRAME 1 - LEFT	1
109	GP0000005442	CBS3.38.106	MOUNTING PLATE LEFT	1
110	GP0000005443	CBS3.38.107	MOUNTING PLATE RIGHT	1
111	GP0000005444	CBS3.38.105	CONNECTING PIPE	1
114	GP0000005445	GB/T5782	BOLT M8X50	2
117	GP0000005446	65553A.38.106	SUPPORT STRUT	1
118	GP0000005447	65558.38.112	GUARD BOTTOM PLATE	1
119	GP0000005448	GB/T6172.2	LOCKNUT M6	17
120	GP0000005449	65553.38.101	LOG TRAY 1	1
121	GP0000005450	65553.38.105	SUPPORT STRUT 1	2
122	GP0000005451	65553.38.102	LOG TRAY 2	1
123	GP0000005423	GB/T 818-2000	SCREW	13
124	GP0000005453	65553.38.052	TOP GUARD PLATE 2	1
125	GP0000005454	GB/T818	SCREW M6X20	20
126	GP0000005448	GB/T6172.2	LOCKNUT M6	20
127	GP0000005456	65558.38.513	U-SPACER	19
128	GP0000005457	65558.38.402	TOP GUARD PLATE 1	1
129	GP0000005458	65558.38.056	LEFT GUARD PLATE	1
130	GP0000005459	65553.38.053	REAR GUARD PLATE 2	1
131	GP0000005460	65558.38.053	REAR GUARD PLATE 1	1
132	GP0000005461	65558.38.051	FRONT GUARD PLATE	1